

LK30 系列

LK30 Series

II. 双夹紧胀紧式联接梅花联轴器

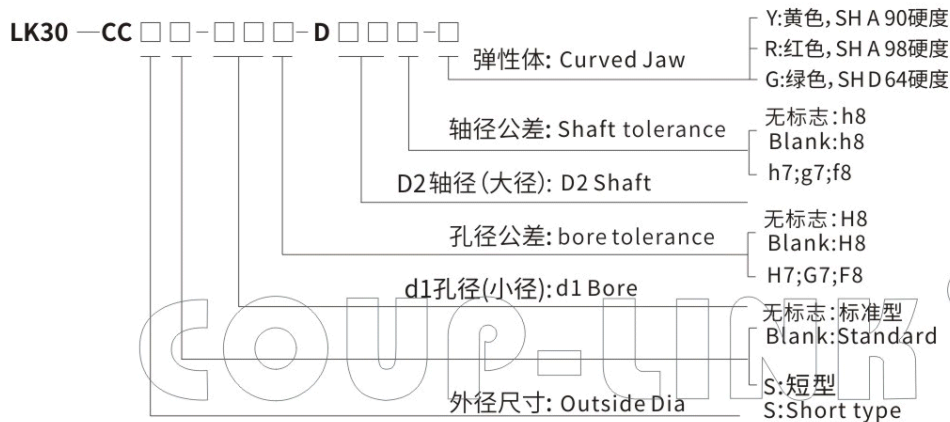
II. Double Clamp, Locking Assemblies Type

特点 Features

- 零回转间隙
- 嵌入式结构为胀紧型支持轴孔连接
- 短型设计, 节省空间
- 电气绝缘
- 安装便利
- 自定心功能
- 双夹紧螺丝固定
- 连接同步轮、齿轮、链轮和中空轴等等
- Backlash-free
- With expansion hub for shaft and hollow shaft connections
- Short design
- Electric insulation
- Quick assembly
- Good concentricity
- Self-centering clamping connection
- Double clamping screw mounting
- Solution for connection of hollow shaft, chain wheel, synchro wheel, gear wheel etc.



选型举例: Ordering Information



例: LK30-CC25-08H7-D10-Y

LK 30: 系列号: 铝合金

CC25: 外径尺寸: 25mm, 双夹紧螺丝固定式

08: d1孔径为: 8mm, 公差为H7

10: D2轴径为: 10mm, 公差为h8

Y: 弹性体为黄色, SHA90硬度

孔径公称请按照d1 (孔径-D2轴径) 标示

Example: LK30-CC25-08H7-D10-Y

LK30: Series No., Material: Aluminum alloy

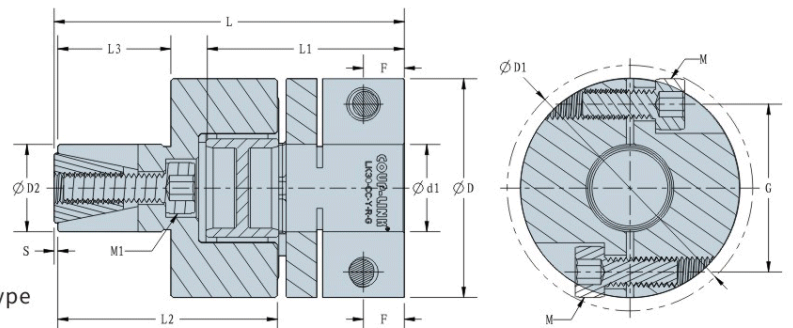
CC25: Outside Diameter: 25mm, Double Clamp Type

08: d1 Bore: 8mm, H7

10: D2 Shaft: 10mm, h8

Y: yellow, SHA90

Please mark the bore diameter in the order of d1 (Bore) - D2 (shaft)



外型尺寸 Dimensions

单位 (unit): mm

型号 Model	d1孔径范围 Bore	D2轴径范围 Shaft	ΦD	ΦD1	L	L1	L2	L3	F	S	G	M1	M	拧紧力矩 Tightening Torque (N.m)
LK30-CC30-□□□-D□□□-Y	8~14	10~12	30	32.5	48	27.0	30.1	15.5	5.6	0.5	22.0	M4	M4	3.4~4.1
LK30-CC40S-□□□-D□□□-Y	12~22	16~20	40	45.0	63.5	33.5	41.5	21.0	6.5	0.5	31.0	M6	M5	7.0~8.5
LK30-CC40-□□□-D□□□-Y	12~22	16~20	40	45.0	69.0	39.0	41.5	21.0	6.5	0.5	31.0	M6	M5	7.0~8.5
LK30-CC55-□□□-D□□□-Y	16~26	22~26	55	56.5	87.0	45.65	53.65	31.0	11	0.5	41.5	M8	M6	14~15
LK30-CC65-□□□-D□□□-Y	20~38	30~38	65	72.0	99.5	52.75	61.75	37.0	12	0.5	51.5	M10	M8	30~35
LK30-CC30-□□□-D□□□-R	8~14	10~12	30	32.5	48	27.0	30.1	15.5	5.6	0.5	22.0	M4	M4	3.4~4.1
LK30-CC40S-□□□-D□□□-R	12~22	16~20	40	45.0	63.5	33.5	41.5	21.0	6.5	0.5	31.0	M6	M5	7.0~8.5
LK30-CC40-□□□-D□□□-R	12~22	16~20	40	45.0	69.0	39.0	41.5	21.0	6.5	0.5	31.0	M6	M5	7.0~8.5
LK30-CC55-□□□-D□□□-R	16~26	22~26	55	56.5	87.0	45.65	53.65	31.0	11	0.5	41.5	M8	M6	14~15
LK30-CC65-□□□-D□□□-R	20~38	30~38	65	72.0	99.5	52.75	61.75	37.0	12	0.5	51.5	M10	M8	30~35
LK30-CC55-□□□-D□□□-G	16~26	22~26	55	56.5	87.0	45.65	53.65	31.0	11	0.5	41.5	M8	M6	14~15
LK30-CC65-□□□-D□□□-G	20~38	30~38	65	72.0	99.5	52.75	61.75	37.0	12	0.5	51.5	M10	M8	30~35

说明:

1. 对于上表以外的孔径, 如需定货, 可另行提供服务, 请向本公司洽询。
2. 对方安装轴公差为h7,h8级, 如轴公差为其他公差, 给公差要求厂家定做。
3. 拧紧力矩为“M”值。

Note:

1. Please contact us for the bore size that is out of the standard scope.
2. Our standard bore size can support relative shaft tolerance at h7 or h8, if your shaft tolerance is not in the scope, please contact us.
3. Please note the wrench torque is for clamping screw "M".

标准孔径 Standard Bore Diameter

单位 (unit):mm

型号 Model	标准孔径 Standard Bore Diameter · d1(mm)																			
	8	9	9.525	10	11	12	14	15	16	18	19	20	22	25	26	28	30	32	35	38
LK30-CC30-d1	•	•	•	•	•	•	•													
LK30-CC40S-d1						•	•	•	•	•	•	•	•							
LK30-CC40-d1						•	•	•	•	•	•	•	•							
LK30-CC55-d1									•	•	•	•	•	•	•					
LK30-CC65-d1												•	•	•	•	•	•	•	•	•

型号 Model	标准孔径 Standard Bore Diameter · D2(mm)																			
	10	11	12	14	15	16	18	19	20	22	25	26	28	30	32	35	38			
LK30-CC30-D2	•	•	•																	
LK30-CC40S-D2						•	•	•	•											
LK30-CC40-D2						•	•	•	•											
LK30-CC55-D2											•	•	•							
LK30-CC65-D2																•	•	•	•	•

技术参数 Specifications

单位 (unit):mm

型号 Model	额定扭矩 Rated Torque (N.m)	最高转速 Max. Rotational Frequency (rpm)	惯性力矩 Moment of Inertia (Kg.m ²)	静态扭转刚度 Static Torsional Stiffness (N.m / rad)	容许径向偏差 Errors of Eccentricity (mm)	容许角向偏差 Errors of Angularity (°)	容许轴向偏差 Errors of shaft End-play (mm)	重量 N.W. (g)
LK30-CC30-□□□-D□□□-Y	7.5	12700	5.67×10^{-6}	73	0.15	1	0~+1.0	49.4
LK30-CC40S-□□□-D□□□-Y	12	9550	2.48×10^{-5}	570	0.1	1	0~+1.2	125.3
LK30-CC40-□□□-D□□□-Y	12	9550	2.82×10^{-5}	570	0.1	1	0~+1.2	138.3
LK30-CC55-□□□-D□□□-Y	35	6950	1.14×10^{-4}	1600	0.14	1	0~+1.4	311.3
LK30-CC65-□□□-D□□□-Y	95	5850	2.70×10^{-4}	3000	0.15	1	0~+1.5	560.3
LK30-CC30-□□□-D□□□-R	12.5	12700	5.70×10^{-6}	130	0.09	0.9	0~+1.0	49.4
LK30-CC40S-□□□-D□□□-R	21	9550	2.48×10^{-5}	1200	0.06	0.9	0~+1.2	125.3
LK30-CC40-□□□-D□□□-R	21	9550	2.82×10^{-5}	1200	0.06	0.9	0~+1.2	138.3
LK30-CC55-□□□-D□□□-R	60	6950	1.14×10^{-4}	2600	0.10	0.9	0~+1.4	311.3
LK30-CC65-□□□-D□□□-R	160	5850	2.70×10^{-4}	4900	0.10	0.9	0~+1.5	560.3
LK30-CC55-□□□-D□□□-G	75	8650	1.14×10^{-4}	5030	0.07	0.8	0~+1.4	311.3
LK30-CC65-□□□-D□□□-G	200	7350	2.70×10^{-4}	10260	0.08	0.8	0~+1.5	560.3

说明:

1. 惯性力矩和重量按最大孔径、最大轴径计算。
2. 扭矩刚度为元件部份的测量值
3. 最高转速未考虑动平衡。

Note:

1. Moment of inertia and unit N.W. are based on the maximum bore & shaft size.
2. Torsional stiffness values are based on the values of the elements only.
3. Max. rotation speed does not take dynamic balance into account.