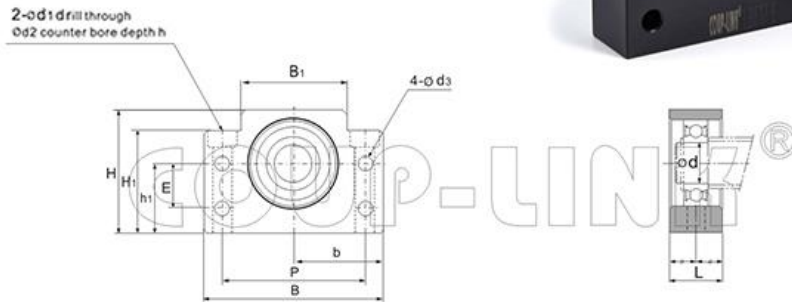
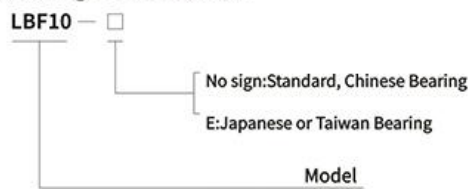


LBF Floated side



Ordering Information



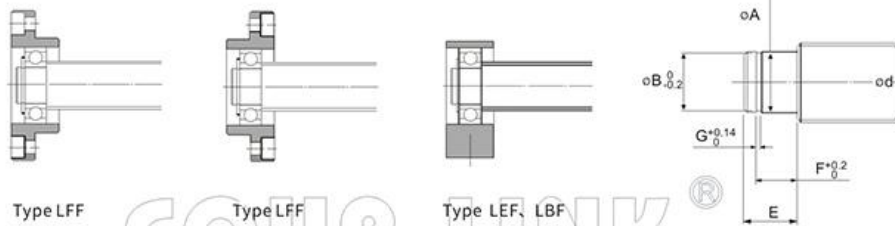
Dimensions

(unit):mm

Model	d	L	B	H	b	h1 ^{±0.02}	B1	H1	E	P	d1	d2	d3	h	(g)
LBF10 LBF10-E	8	20	60	39	30	22	34	32.5	15	46	6.6	10.8	5.5	5	290
LBF12 LBF12-E	10	20	60	43	30	25	35	32.5	18	46	6.6	10.8	5.5	1.5	300
LBF15 LBF15-E	15	20	70	48	35	28	40	38	18	54	6.6	11	5.5	6.5	380
LBF17 LBF17-E	17	23	86	64	43	39	50	55	28	68	9	14	6.6	8.5	740
LBF20 LBF20-E	20	26	88	60	44	34	52	50	22	70	9	14	6.6	8.5	760
LBF25 LBF25-E	25	30	106	80	53	48	64	70	33	85	11	17.5	9	11	1420
LBF30 LBF30-E	30	32	128	89	64	51	76	78	33	102	14	20	11	13	1970
LBF35 LBF35-E	35	32	140	96	70	52	88	79	35	114	14	20	11	13	2220
LBF40 LBF40-E	40	37	160	110	80	60	100	90	37	130	18	26	14	17.5	3270

LFF
LEF
LBF

Recommended Shaft And Shape(Floated Side)——LFF、LEF、LBF



Type LFF

Type LFF

Type LEF, LBF

(unit):mm

Model			Ball Screw Shaft OD	Shaft Support Portion OD			Snap-ring Groove		
Type LFF	Type LEF	Type LBF	d	A	E	B	F	G	
LFF6	LEF6	---	8	6 ^{+0.009}	9	5.7	6.8	0.8	
---	LEF8	---	10	6 ^{+0.009}	9	5.7	6.8	0.8	
LFF10	LEF10	LBF10	12.14.15	8 ^{+0.009}	10	7.6	7.9	0.9	
LFF12	LEF12	LBF12	14.15.16	10 ^{+0.009}	11	9.6	9.15	1.15	
LFF15	LEF15	LBF15	18.20	15 ^{+0.009}	13	14.3	10.15	1.15	
LFF17	---	LBF17	20.25	17 ^{+0.009}	16	16.2	13.15	1.15	
LFF20	LEF20	LBF20 (NOTE)	25.28.30	20 ^{+0.009}	19(16)	19	15.35(13.35)	1.35	
LFF25	---	LBF25	30.32.36	25 ^{+0.009}	20	23.9	16.35	1.35	
LFF30	---	LBF30	36.40	30 ^{+0.009}	21	28.6	17.75	1.75	
---	---	LBF35	40.45	35 ^{+0.009}	22	33	18.75	1.75	
---	---	LBF40	50.55	40 ^{+0.009}	23	38	19.95	1.95	

Note:

In this table, dimensions in Parentheses are those of type LBF20. These dimensions differ from those of type LFF 20 and LEF20, When placing an order, always specify the model number of the support unit to be used.